



Concept Pro

2MP

23X
ZOOM

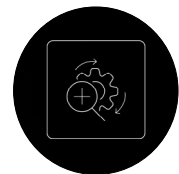
ENHANCED
LOW
LIGHT

4 in 1

CP-HSD233E-AHD2M

Concept Pro 2MP AHD 33x Zoom High Speed Dome

The Concept Pro 2MP 8 Inch AHD 33x PTZ Camera (CP-HSD233E-AHD2M) is a 1080P 4 in 1 high speed dome with 33x optical zoom and a 150m IR range. The camera can be programmed with 225 preset positions and up to 4 patterns or groups allowing for virtually hands-free operation and can integrate with onsite intruder alarm systems through 4 alarm inputs and 1 outputs which are easily accessible in the function box. Additionally, the camera offers 360 degrees-per-second rotation speed ensuring movement remains responsive even when operated remotely from the coaxitron DVR or RS485 keyboard.



Superior image quality through the zoom

Each camera will retain image focus when they zoom and micro-stepping technology makes the Pan and Tilt motion smooth, even at maximum optical zoom.



Enhanced low light

Enhanced Low-Light harnesses Sony's Starvis technology to produce clear and crisp colour images where light is at a premium, this ensures our products with Enhanced Low-Light stay in colour for longer.



Parking action

The Concept Pro 8 inch 2MP AHD 33x PTZ Camera (CP-HSD233E-AHD2M) can be configured to run a specified preset, scan, pattern or group after a defined period of inactivity.

KEY FEATURES

- ◆ 150m Advanced Infrared Technology
- ◆ 2MP Analogue High Definition
- ◆ Lens Size 4.7 - 152mm
- ◆ AHD/TVI/CVI/CVBS with simple DIP
- ◆ Enhanced Low light performance, Colour @ 0.01 Lux
- ◆ IP66
- ◆ 4 Alarm inputs and 1 Alarm outputs
- ◆ DC24V/AC24V Power

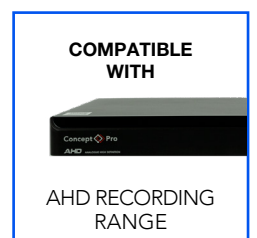
OTHER FEATURES

- ◆ 255 Presets
- ◆ 4 Preset groups
- ◆ 33x Optical Zoom
- ◆ Home Position (Idle/Parking Action)
- ◆ Lightning and Power Surge Protection

ANALOGUE HD TYPICAL CABLE DISTANCE

CAMERA	DVR	
	2MP	720P
COAX (RG59)	UP TO 500M	UP TO 500M
CAT5e	UP TO 305M	UP TO 350M
CAT6	UP TO 305M	UP TO 350M

*Approximate distances calculated using HD MasterBaluns. Actual transmission range will vary depending on type and quality of cable and baluns.



CP-HSD233E-AHD2M

Concept Pro 8 Inch 2MP AHD 33x
Zoom High Speed Dome

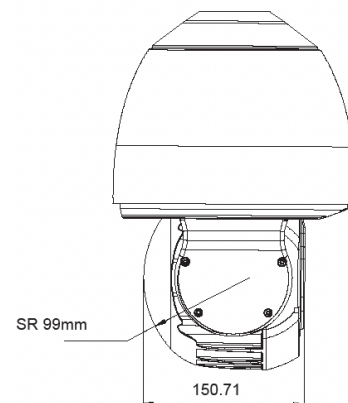
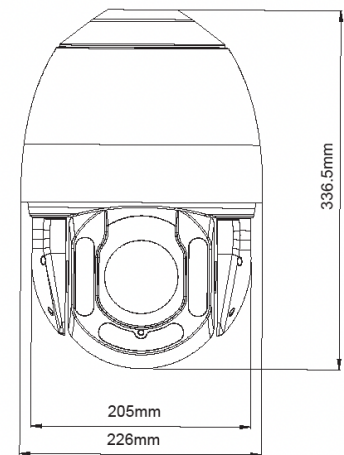
Concept Pro

SPECIFICATION

Model/Feature	CP-HSD233E-AHD2M
Image Sensor	1/2.8" Progressive Scan
Video Output	AHD/TVI/CVI/CVBS
Max. Resolution	1920 x 1080 (2MP)
Frame Rate	25/30FPS @ 1920 x 1080
Min. Illumination	Color:0.001Lux@(F1.2,AGC ON); B/W:0Lux@(IR LED ON)
White Balance	Auto
Gain Control	Auto
S/N Ratio	≥52dB
Noise Reduction	Auto / Off / Low / Middle / High
Backlight compensation	On/Off
Highlight compensation	On/Off
Wide Dynamic Range	DWDR, OFF/ON
Defog	/
Shutter Speed	PAL: 1/50-1/50000s, NTSC: 1/60-1/60000s
Day/Night	Ext / AUTO / Color / MONO
Digital Zoom	/
Privacy Mask	Yes Supported (Max. 4 Areas)
Focal Length	4.6 ~152mm
Optical Zoom	33x
Zoom Speed	Approx.5.2s (Optical Wide-Tele)
Aperture	F1.6 (Wide) ~ F3.5 (Tele)
Angle of View	H: 55.2°~ 3.2°
Focus	Auto/Semi-automatic/Manual
Iris	Fixed
Pan/Tilt Range	Pan: 360° Endless, Tilt: 90°
Speed	Pan: 0.1°/s ~200°/s ,Tilt: 0.1°/s ~180°/s,
Proportional Speed	As the length of focus, to auto-adjust the speed
Preset	128
Auto Scan	4
Pattern	4
Group (Tour)	4
Schedule	16
Auto Flip	Yes
Power Off Memory	N/A
Park Action	Yes
Power Up Action	Yes
Auto Protocol ID	Yes
Illumination Range	Max. 150m
IR Mode	Auto/Manual
IR LED Power Consumption	MAX 20W
IR LED Current	
Video Output Connector	1 BNC
RS485	Yes
Protocol	Pelco-D/Pelco-P
Baud Rate	2400/4800/9600
Up the Coax	Yes
Alarm Inputs	4
Alarm Outputs	1
Alarm Trigger Event	Alarm I/O, Schedule
Audio Inputs	N/A
Dimensions	235*235*460mm
Net Weight	3KG
Gross Weight	5kg
Operating Temperature	-40°C ~ 60°C (-40°F ~ 140°F)
Operating Humidity	≤90% (Non-condensing)
Power Supply	DC24V 1.5A / AC24V 2A
Power Consumption	9W (IR OFF), 30W (IR ON)
Ingress Protection	IP66
Impact Protection	N/A
Surge Protection	TVS4000V
Certification	CE/FCC

DIMENSIONS

All measurements are in mm.



ORDER CODE

- **CP-HSD233E-AHD2M** Concept Pro 2MP AHD 33x Zoom High Speed Dome

OTHER PRODUCTS IN THE RANGE

- **CP-HSD230-IP2M** Concept Pro 2MP IP 30x Zoom High Speed Dome
- **CP-HSD230-IP3M** Concept Pro 3MP IP 30x Zoom High Speed Dome
- **CP-HSD212A-IP4M** Concept Pro Lite 4MP IP 12X Zoom High Speed Dome
- **CP-HSD210A-AHD2M** Concept Pro Small 2MP AHD 10x Zoom High Speed Dome
- **CP-HSD220D-AHD2M** Concept Pro 6 Inch 2MP AHD 20x Zoom High Speed Dome

RECOMMENDED ACCESSORIES

- **CP-HSDB2-PME** Concept Pro 8 Inch Pendant Mount
- **CP-HSDB2-JME** Concept Pro 8 Inch Junction Mount
- **CP-HSDB2-CME** Concept Pro 8 Inch Corner Mount
- **CP-HSDB2-PE** Concept Pro 8 Inch Pole Mount
- **CP-HSDB2-WME** Concept Pro 8 Inch Wall Mount
- **CP-HSDB2-SN** Concept Pro Swan Neck Bracket

CP-HSD233E-AHD2M

Concept Pro 8 Inch 2MP AHD 33x
Zoom High Speed Dome

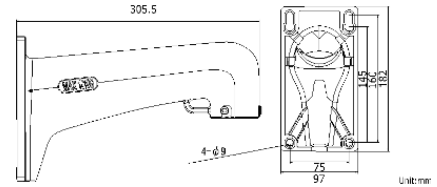
Concept Pro

ACCESSORIES

DIMENSIONS

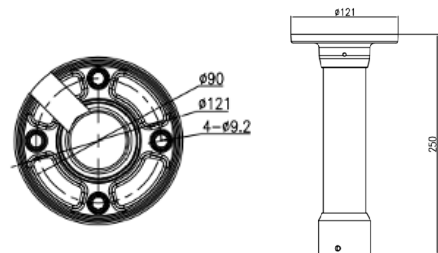
◆CP-HSDB2-WME

Concept Pro 8 Inch Wall Mount
(Included)



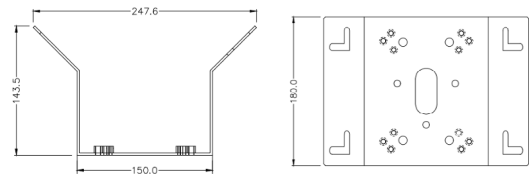
◆CP-HSDB2-PME

Concept Pro 8 Inch Pendant
Mount



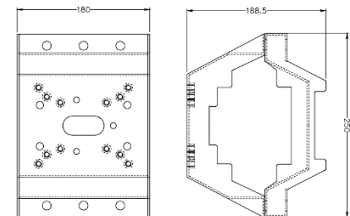
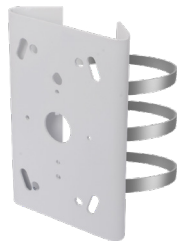
◆CP-HSDB2-CME

Concept Pro 8 Inch Corner
Mount



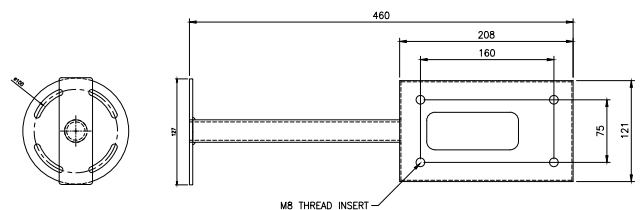
◆CP-HSDB2-PME

Concept Pro 8 Inch Pole
Mount



◆CP-HSDB2-SNE

Concept Pro Swan Neck
Mount



◆CP-HSDB2-JBE

Concept Pro 8 Inch Junction
Box

