

Concept Pro



- 4MP
- ENHANCED LOW LIGHT
- 12X ZOOM
- IP

CP-HSD212A-IP4M

Concept Pro Small 4MP IP 12x Zoom High Speed Dome

The Concept Pro CP-HSD212A-IP4M is a 4 Megapixel high speed dome with 12x optical zoom. The camera can be programmed with 300 preset positions and 12 auto-learning touring patterns allowing for virtually hands-free operation. The PTZ includes Intelligent Auto Tracking allowing you to track intruders on your site with a much higher level of precision than PIR detection. Additionally, the camera offers 300 degrees-per-second rotation speed ensuring movement of the camera remains responsive even when operated remotely from other locations.

KEY FEATURES

- ◆ 4MP Resolution
- ◆ 12X Optical Zoom
- ◆ 4.7-56.4mm lens
- ◆ Intelligent Auto Tracking Functionality
- ◆ Enhanced Low Light Capability
- ◆ POE + Powered

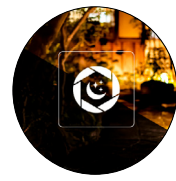
OTHER FEATURES

- ◆ Parking Action/Idle Action
- ◆ Preset/Tour/Scan/Patterns



Auto Tracking

Auto Tracking uses intelligent analytics to track the things that matter to you in your installation in a few easy steps. This reduces the need for PIRs and a complex setup process while improving the quality of your security.



Enhanced Low Light

Enhanced Low-Light harnesses Sony's Starvis technology to produce clear and crisp colour images where light is at a premium, this ensures our products with Enhanced Low-Light stay in colour for longer.



No PIRs, No Problem!

In combination with Concept Pro Deep Learning Plus analytics you can ensure the PTZ is only looking at the things you care about utilising industry leading detection to ensure your PTZ is always pointing in the right direction.

CP-HSD212A-IP4M

Concept Pro Small 4MP IP 12x Zoom High Speed Dome

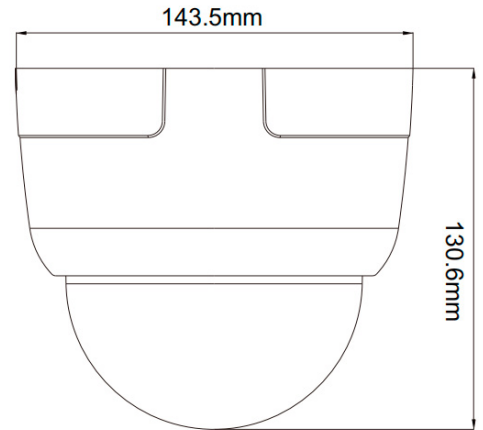
Concept Pro

SPECIFICATION

Model/Feature	CP-HSD212A-IP4M	
Camera	Image Sensor	1/2.8" Progressive Scan CMOS
	Effective Pixels	2592(H) x 1520(V)
	Electronic Shutter	Auto/Manual, 1/5-1/20,000s
	Min. Illumination	Color: 0.01Lux @(F1.2,AGC ON) B/W: 0Lux @(IR LED ON)
	S/N Ratio	55dB
	Day/Night	Auto(ICR) / Day / Night / Timing
	Range	WDR (120dB)
	IR Range	-
	IR On/Off Control	-
	IR LEDs	-
Lens	Focal Length	4.7~56.4mm
	Max. Aperture	F1.6~F3.0
	Angle of View	H: 60.9°~6.43°, V: 40.1°~4.1°
	Optical Zoom	12x
	Digital Zoom	16x
PTZ	Focus Control	Auto/Manual
	Pan/Tilt Range	Pan: 0° ~ 360° endless, Tilt: -10° ~ +90°
	Manual Control Speed	Pan: 0.1° ~300° /s, Tilt: 0.1° ~200° /s
	Preset Speed	Pan: 300° /s, Tilt: 200° /s
	Presets	128
	PTZ Mode	4 Track, 4 Tour, 4 Scan
	Speed Setup	Auto/Manual (0-8)
	Power up Action	Yes
	Idle Motion	Activate Preset/ Scan/ Tour/ Track if there is no command in the specified period
	Compression	H.265, H.264, MJPEG
Video	Max. Resolution	4MP(2592x1520)
	Streaming Capability	3 Streams
	Stream / Frame Rate	Stream1: 2592x1520/2560x1440/2304x1296/1920x1080/1280x720 @ 25/30fps Stream2: D1/VGA/640x360/CIF/QVGA @ 25/30fps Stream3: VGA/CIF/QVGA @ 25/30fps
	Bit Rate Control	CBR/VBR
	Bit Rate	Stream1: 200kbps~12Mbps Stream2: 100kbps~6Mbps Stream3: 100kbps~3Mbps
	Image Enhancement	HLC / BLC / Anti-shake / Defog / WDR (120dB)
	White Balance	Auto/Tungsten/Fluorescent/Daylight/Shadow/Manual
	Gain Control	Auto/Manual
	Noise Reduction	2D/3D DNR
	Smart IR	-
Audio	Mirror	Yes
	Aisle Mode	Yes
	Region of Interest	Off / On (8 Zone)
	Motion Detection	Off / On
	Privacy Masking	Off / On (4 Area, Rectangle)
	Compression	N/A
	Bit Rate	-
	Protocols:	IPv4/IPv6, 802.1x, HTTP, HTTPS, TCP/IP, UDP/IP, RTP, DHCP, NTP, RTCP/RTP, PPPoE, SMTP, DNS, UPnP, FTP, ARP, SNMP
	Interoperability	ONVIF, SDK, CGI
	Network	Streaming Method
Max. User Access		10 Users
Edge Storage		-
Web Viewer		<IE11, Chrome, Firefox Support
Analytics	Auto Tracking	-
	IVS	Perimeter, Single Virtual Fence, Double Virtual Fences, Loiter, Multi Loiter, Object Left, Object Removed, Abnormal Speed, Converse, Illegal Parking, Signal Bad
Interface	Ethernet	1 Ethernet (10/100 Base-T) RJ-45 Connector
	Audio	N/A
	Alarm	N/A
	RS485	N/A
	CVBS Output	N/A
	Reset Button	No
	Power Supply	DC12V/POE+ (IEEE 802.at)
General	Power Consumption	Less than 25W
	Operating Temperature	Starting Temperature: -40°C ~ 60°C (-40°F ~ 140 °F) Working Temperature: -55°C ~ 60°C (-67°F ~ 140 °F)
	Operating Humidity	Less than 90% RH
	Ingress Protection	IP66, TVS4000V
	Certifications	CE/FCC
Casing	Metal	
Dimensions	143.5 x 143.5 x 130.6mm	

DIMENSIONS

All measurements are in mm.



ORDER CODE

- **CP-HSD212A-IP4M** Concept Pro 4MP IP 12X Zoom High Speed Dome

OTHER PRODUCTS IN THE RANGE

- **CP-HSD230-IP2M** Concept Pro 2MP IP 30x Zoom High Speed Dome
- **CP-HSD230-IP3M** Concept Pro 3MP IP 30x Zoom High Speed Dome
- **CP-HSD210A-AHD2M** Concept Pro 2MP AHD 10x Zoom High Speed Dome
- **CP-HSD220D-AHD2M** Concept Pro 2MP AHD 20x Zoom High Speed Dome
- **CP-HSD233E-AHD2M** Concept Pro 2MP AHD 33x Zoom High Speed Dome

RECOMMENDED ACCESSORIES

- **CP-HSDB2-PMA** Concept Pro Small PTZ Pendant Mount
- **CP-HSDB2-PA** Concept Pro Small PTZ Pole Mount
- **CP-HSDB2-WMA** Concept Pro Small PTZ Wall Mount
- **CP-HSDB2-CMA** Concept Pro Small PTZ Corner Mount

CP-HSD212A-IP4M

Concept Pro Small 4MP IP 12x Zoom High Speed Dome

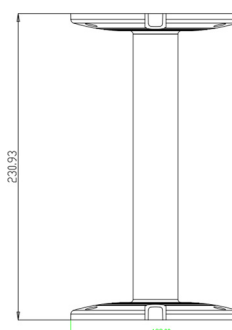
Concept Pro

ACCESSORIES

DIMENSIONS

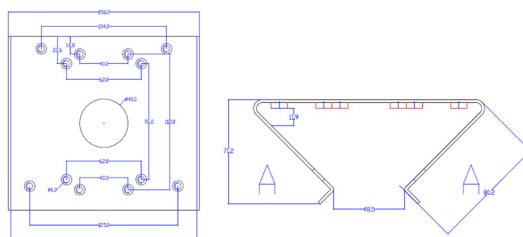
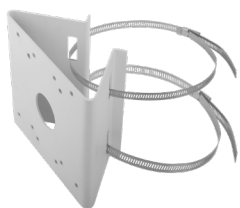
CP-HSDB2-PMA

Concept Pro Small PTZ Pendant Mount



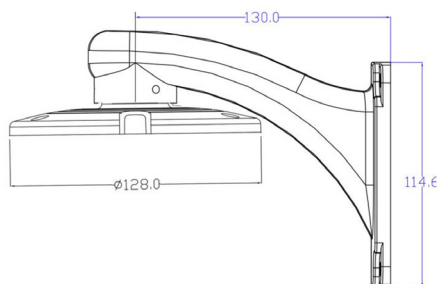
CP-HSDB2-PA

Concept Pro Small PTZ Pole Mount



CP-HSDB2-WMA

Concept Pro Small PTZ Wall Mount



CP-HSDB2-CMA

Concept Pro Small PTZ Corner Mount

