



Concept Pro

5MP	2.7-13.5mm Motorised Lens	30m IR Range	4 in 1
------------	--	-------------------------	---------------

CBP6325IREL-AHD5M-Z

Concept Pro 5MP 4-in-1 Analogue Motorised Zoom Internal Dome Camera

The CBP6325IREL-AHD5M-Z model is a 4-in-1 analogue camera that has been designed to deliver the highest image quality for demanding internal environments. This internal dome features a 2.7-13.5mm motorised lens, smart infrared LEDs with 30m illumination range, and provides crisp 5-megapixel video with true wide dynamic range and enhanced low light performance. This camera is also designed for excellent compatibility with the Concept Pro range of hybrid digital video recorders.



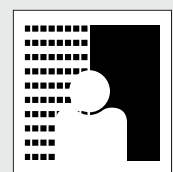
Internal Cable Connections

The installers needs have been carefully considered in the design of this product, utilising internal cable connections to aid in the ease of installation, reducing the need for complicated work in impractical installation areas.



Enhanced Low Light

This CCTV camera utilises an Enhanced Low Light CMOS sensor with greater light sensitivity, resulting in the camera capturing colour images long after standard CCTV cameras have switched to black and white night mode.



True Wide Dynamic Range

With true wide dynamic range, this camera can capture sharp images throughout the entire field of view, even when there are severe differences between light levels.

KEY FEATURES

- ◆ Max. 20FPS @ 5MP
- ◆ 2.7-13.5mm Motorised Lens
- ◆ Up to 30m Smart IR Illumination
- ◆ 4-in-1 Operation (AHD/TVI/CVI/CVBS)
- ◆ Enhanced Low Light Performance
- ◆ True Wide Dynamic Range
- ◆ DC12V/AC24V Dual Power Input

OTHER FEATURES

- ◆ DC12V Power Output
- ◆ BNC & UTP Video Output
- ◆ Up the Coax Coaxitron Support
- ◆ AGC, 3D-DNR, BLC
- ◆ Smoked Dome Bubble Options Available

ANALOGUE HD TYPICAL CABLE DISTANCE

Camera

DVR

	5MP	2MP	720P
COAX (RG59)	UP TO 500M	UP TO 500M	UP TO 500M
CAT5e	UP TO 200M	UP TO 305M	UP TO 350M
CAT6	UP TO 200M	UP TO 305M	UP TO 350M

*Approximate distances calculated using HD MasterBaluns. Actual transmission range will vary depending on type and quality of cable and baluns.

COMPATIBLE WITH



CONCEPT PRO AHD RECORDING RANGE

CBP6325IREL-AHD5M-Z

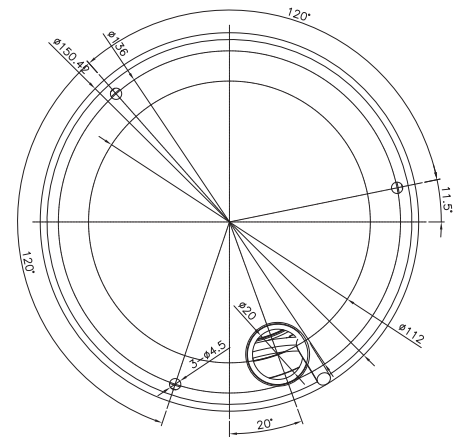
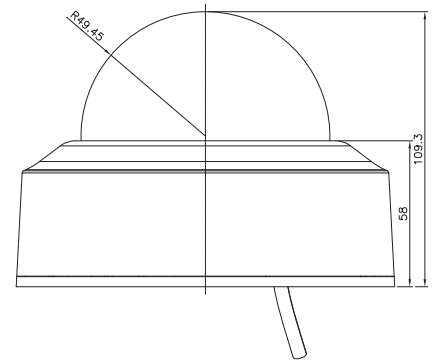
Concept Pro 5MP 4-in-1 Analogue
Motorised Zoom Internal Dome Camera

Concept Pro

SPECIFICATION

Model/Feature	CBP6325IREL-AHD5M-Z
Image Sensor	1/2.8" Progressive Scan CMOS
Video Output Type	AHD/TVI/CVI/CVBS
Signal System	PAL/NTSC
Min. Illumination	Colour: 0.002 lux (Enhanced Low Light) B&W: 0.002 lux (Enhanced Low Light)
Electronic Shutter	Auto
S/N Ratio	≥50dB
IR LEDs	x4
IR Illumination Range	Max. 30m
IR Control	On/Off
Adaptable IR	Auto
Pivot Axis	Pan: 0-355°, Tilt: 0-75°, Rotation: 0-90°
Lens Type	Motorised
Mount Type	Built-in
Focal Length	f=2.7-13.5mm
Aperture	F1.3
Angle of View	H: 106°-40°, V: 77°-23°, D: 112°-49°
Focus	Auto/Manual
Iris	Fixed
Resolution	5MP (2592x1944), 4MP (2560x1440), 2MP (1920x1080), SD (960 x 576)
Frame Rate	AHD/TVI: 12.5/20FPS @ 5MP, 15/25/30FPS @ 4MP, 25/30FPS @ 2MP CVI: 25/30FPS @ 4MP, 25/30FPS @ 2MP CVBS: 25/30FPS @ SD
Day/Night	True Day & Night with ICR (Auto/Colour/B&W/EXT)
Backlight Compensation	BLC/HLC
Wide Dynamic Range	True WDR
White Balance	Pro/Gray World
Gain Control	Auto
Noise Reduction	3D-DNR (Auto/Manual)
Motion Detection	-
Defog	-
Image Setting	Mirror
Image Adjustment	Brightness, Sharpness, Contrast, Saturation
Privacy Masking	-
Sens-Up	-
Transmission Distance	Max. 500m (1Vp-p 75Ω)
Video Output	x1 1.0Vp-p 75Ω BNC/x1 2-pin UTP
Audio Interface	-
RS-485	-
Control Protocol	N/A
Up the Coax (Coaxitron) Support	Yes
OSD Buttons	Yes
Power Supply	DC12V±10%/AC24V±10%
Power Output	x1 DC12V 100mA
Power Consumption	Max. 6.5W
Operating Temperature	-30°C to +40°C
Operating Humidity	20-80% RH
Ingress Protection	IP53
Impact Resistance	-
Housing Materials	Plastic
RAL	RAL 9010 Pure White
Dimension	Ø151.4x109.3mm
Net Weight	≈710g
Gross Weight	≈930g
Certification	CE

DIMENSIONS



ORDER CODE

- **CBP6325IREL-AHD5M-Z** Concept Pro 5MP 4-in-1 Analogue Motorised Zoom Internal Dome Camera

OTHER PRODUCTS IN THE RANGE

- **CBP6325EL-AHD2M** Concept Pro Lite 2MP 4-in-1 Analogue Varifocal Internal Dome Camera
- **CBP6325IREL-AHD2M** Concept Pro Lite 2MP 4-in-1 Analogue Varifocal Internal Dome Camera
- **CBP6325IREL-AHD5M** Concept Pro 5MP 4-in-1 Analogue Varifocal Internal Dome Camera
- **CBP6325EL-AHD2M-SD** Concept Pro Lite 2MP 4-in-1 Analogue Smoked Dome Varifocal Internal Dome Camera (No IR)
- **CBP6325IREL-AHD2M-SD** Concept Pro Lite 2MP 4-in-1 Analogue Smoked Dome Varifocal Internal Dome Camera
- **CBP6325IREL-AHD5M-SD** Concept Pro 5MP 4-in-1 Analogue Smoked Dome Varifocal Internal Dome Camera
- **CBP6325IREL-AHD5M-SD** Concept Pro 5MP 4-in-1 Analogue Smoked Dome Motorised Internal Dome Camera

RECOMMENDED ACCESSORIES

- **CP-BASE-2-V2** Concept Pro Large Junction Box
- **CP-PM-2-V2** Concept Pro Large Pendant Mount Bracket
- **CP-WM-2-V2** Concept Pro Large Wall Mount Bracket
- **CP-TM-2-V2** Concept Pro Large In-ceiling/Tile Mount
- **CP-PLM-V2** Concept Pro Pole Mount Bracket
- **CP-CM-V2** Concept Pro Corner Mount Bracket
- **RG59K-100** RG59 Coaxial Cable 100m (Black)
- **RG59K-500** RG59 Coaxial Cable 500m (Black)

CBP6325IREL-AHD5M-Z

Concept Pro 5MP 4-in-1 Analogue
Motorised Zoom Internal Dome Camera

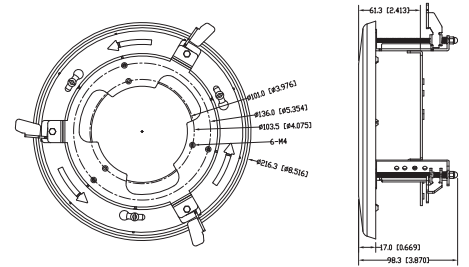
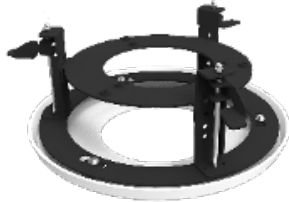
Concept Pro

ACCESSORIES

DIMENSIONS

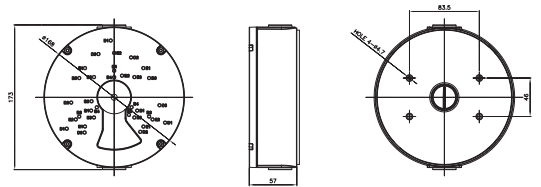
CP-TM-2-V2

Concept Pro Large
In-ceiling/Tile Mount



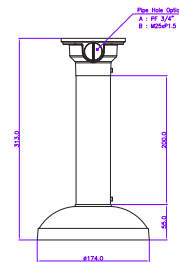
CP-BASE-2-V2

Concept Pro Large
Junction Box



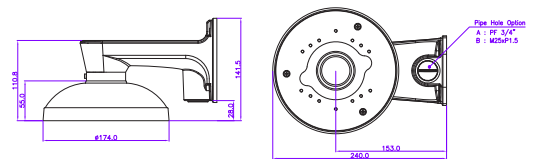
CP-PM-2-V2

Concept Pro Large
Pendant Mount



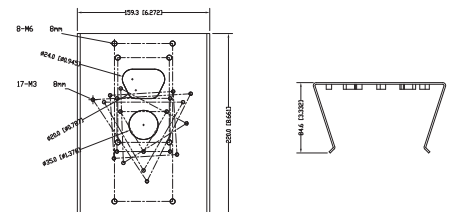
CP-WM-2-V2

Concept Pro Large
Wall Mount



CP-PLM-V2

Concept Pro Pole Mount
(can be combined with
CP-BASE-2-V2)



CP-CM-V2

Concept Pro Corner Mount
(can be combined with
CP-BASE-2-V2)

