



Concept Pro

2MP

30X
ZOOMENHANCED
LOW
LIGHT

IP

CP-HSD230-IP2M

Concept Pro 2MP IP 30x Zoom High Speed Dome

The Concept Pro CP-HSD230-IP2M is a 2 Megapixel high speed dome with 30x optical zoom. This camera features intelligent Auto Tracking as well as Deep Learning Analytics, this means your PTZ won't be pointing the wrong way when you need your security the most.

This PTZ can be a very useful addition to a Concept Pro analytics system ensuring unrivalled accuracy without the setup frustrations.

You can also use this PTZ in a traditional way with Tours, Parking Actions and PIR sensors to make sure we have all your situations covered.



Auto Tracking

Auto Tracking uses intelligent analytics to track the things that matter to you in your installation in a few easy steps. This reduces the need for PIRs and a complex setup process while improving the quality of your security.



No PIRs, No Problem!

In combination with Concept Pro Deep Learning Plus analytics you can ensure the PTZ is only looking at the things you care about utilising industry leading detection to ensure your PTZ is always pointing in the right direction.



Enhanced Low Light

Enhanced Low-Light harnesses Sony's Starvis technology to produce clear and crisp colour images where light is at a premium, this ensures our products with Enhanced Low-Light stay in colour for longer.

KEY FEATURES

- ◆ 2MP Resolution
- ◆ 30X Optical Zoom
- ◆ 4.5-135mm lens
- ◆ Intelligent Auto Tracking Functionality
- ◆ Deep Learning Analytics
- ◆ Enhanced Low Light Capability
- ◆ 200M IR

OTHER FEATURES

- ◆ Parking Action/Idle Action
- ◆ Preset/Tour/Scan/Patterns
- ◆ 7 Alarm Inputs
- ◆ 2 Alarm Output

COMPATIBLE
WITH



CONCEPT PRO
IP RECORDING
RANGE

CP-HSD230-IP2M

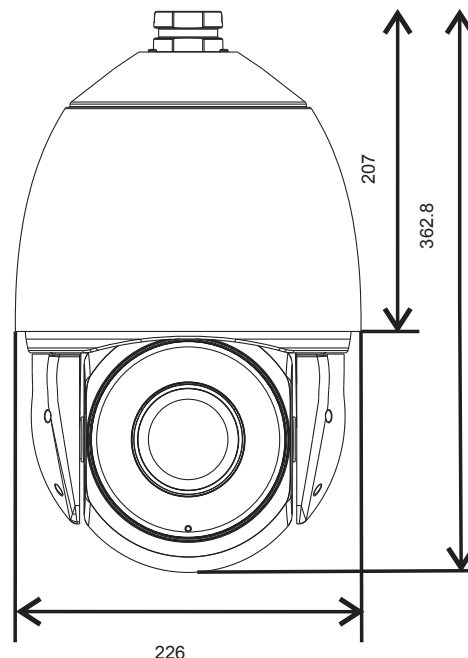
Concept Pro 2MP IP 30x Zoom
High Speed Dome

SPECIFICATION

Model/Feature	CP-HSD230-IP2M	
Camera	Image Sensor	1/2.8" Progressive Scan CMOS
	Effective Pixels	1920(H)x1080(V)
	Electronic Shutter	Auto/Manual, 1/5-1/20,000s
	Min. illumination	Color: 0.01Lux @(F1.2,AGC ON) B/W: 0Lux @(IR LED ON)
	S/N Ratio	55dB
	Day/Night	Auto(ICR) / Day / Night / Timing
	Wide Dynamic Range	WDR (120dB)
	IR Range	Up to 200m
	IR On/Off Control	Auto/ Manual
	IR LEDs	10pcs
Lens	Focal Length	4.5~135mm
	Max. Aperture	F1.6~F4.4
	Angle of View	H: 59.8°~2.3°
	Optical Zoom	30x
	Digital Zoom	16x
PTZ	Focus Control	Auto/Manual
	Pan/Tilt Range	Pan: 0° ~ 360° endless, Tilt: -10° ~ +90°
	Manual Control Speed	Pan: 0.1° ~180° /s, Tilt: 0.1° ~90° /s
	Preset Speed	Pan: 180° /s, Tilt: 90° /s
	Presets	400
	PTZ Mode	6 Track, 12 Tour, 12 Scan,
	Speed Setup	Auto/Manual (0-8)
	Power up Action	Support
	Idle Motion	Activate Preset/ Scan/ Tour/ Track if there is no command in the specified period
	Video	Compression
Max. Resolution		1080P(1920x1080)
Streaming Capability		3 Streams
Stream / Frame Rate		Stream1: 1920x1080/1280x720 @50/60fps Stream2: D1/VGA/640x360/CIF/QVGA @25/30fps Stream3: VGA/CIF/QVGA @25/30fps
Bit Rate Control		CBR/VBR
Bit Rate		Stream1: 200kbps~12Mbps Stream2: 100kbps~6Mbps Stream3: 100kbps~6Mbps
Image Enhancement		HLC / BLC / Anti-shake / Defog / WDR (120dB)
White Balance		Auto/Tungsten/Fluorescent/Daylight/Shadow/Manual
Gain Control		Auto/Manual
Noise Reduction		2D/3D DNR
Audio	Smart IR	Support
	Mirror	Support
	Aisle Mode	Support
	Region of Interest	Off / On (8 Zone)
	Motion Detection	Off / On
	Privacy Masking	Off / On (4 Area, Rectangle)
	Compression	G.711, RAW_PCM
	Bit Rate	8kbps(G.711), 16kps(RAW_PCM)
	Protocols:	IPV4/IPV6, 802.1x, HTTP, HTTPS, TCP/IP, UDP/IP, RTSP, DHCP, NTP, RTPC/RTP, PPPoE, SMTP, DNS, UPnP, FTP, ARP, SNMP
	Interoperability	ONVIF, SDK, CGI
Network	Streaming Method	Unicast
	Max. User Access	10 Users
	Edge Storage	NAS
		Local PC for instant recording
		Micro SD card 128GB
	Web Viewer	<IE11, Chrome, Firefox
	Management Software	SunView
	Smart Phone	IOS, Android
	Auto Tracking	Support
	Intelligence	IVS
Ethernet		1 Ethernet (10/100 Base-T) RJ-45 Connector
Interface	Audio	1ch Input, 1ch Output
	Alarm	7ch Input, 2ch Output
	RS485	Support
	CVBS Output	Support
	Reset Button	Yes (Built-in)
	Power Supply	AC24V/Hi-POE (Adapter optional)
	Power Consumption	Less than 40W
General	Operating Temperature	Starting Temperature: -40°C ~ 60°C (-40°F ~ 140 °F) Working Temperature: -55°C ~ 60°C (-67°F ~ 140 °F)
	Operating Humidity	Less than 90% RH
	Ingress Protection	IP66, TVS4000V
	Certifications	CE/FCC
	Casing	Metal
	Dimensions	Ø226x362.8mm

DIMENSIONS

All measurements are in mm.



ORDER CODE

- **CP-HSD230-IP2M** Concept Pro 2MP IP 30x Zoom High Speed Dome

OTHER PRODUCTS IN THE RANGE

- **CP-HSD212-IP5M** Concept Pro Lite 5MP IP 12X Zoom High Speed Dome
- **CP-HSD230-IP3M** Concept Pro 3MP IP 30x Zoom High Speed Dome
- **CP-HSD210-AHD2M** Concept Pro 2MP AHD 10x Zoom High Speed Dome
- **CP-HSD220-AHD2M** Concept Pro 2MP AHD 20x Zoom High Speed Dome
- **CP-HSD233-AHD2M** Concept Pro 2MP AHD 33x Zoom High Speed Dome

RECOMMENDED ACCESSORIES

- **CP-HSDB2-PM** Concept Pro Pendant Mount
- **CP-HSDB2-JB** Concept Pro Junction Box
- **CP-HSDB2-CM** Concept Pro Corner Mount
- **CP-HSDB2-P** Concept Pro Pole Mount
- **CP-HSDB2-WM** Concept Pro Wall Mount

COMPATIBLE WITH



CONCEPT PRO
IP RECORDING
RANGE

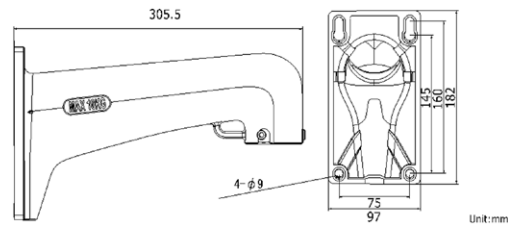
CP-HSD230-IP2M

Concept Pro 2MP IP 30x Zoom
High Speed Dome

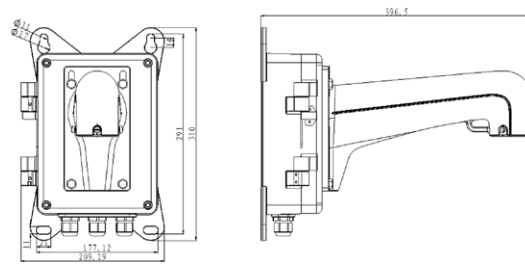
Concept  Pro

ACCESSORIES

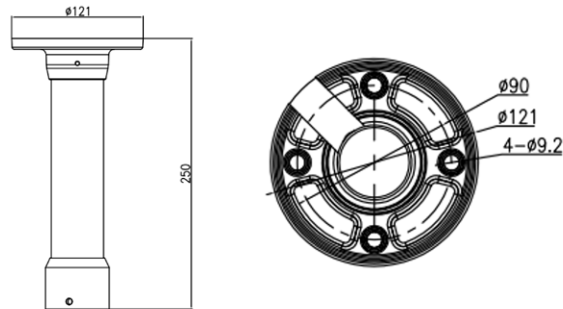
- ◆ **CP-HSDB2-WM**
Concept Pro Wall Bracket
(included)



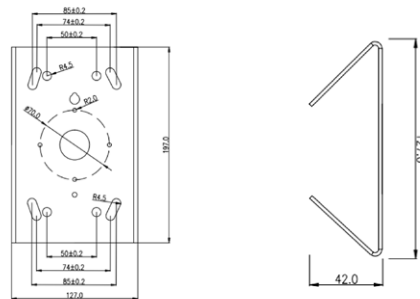
- ◆ **CP-HSDB2-JB**
Concept Pro Junction Box



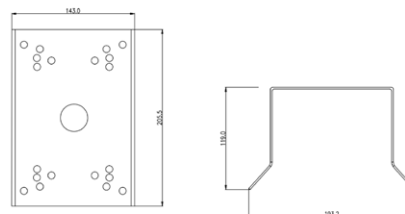
- ◆ **CP-HSDB2-PM**
Concept Pro Pendant Mount



- ◆ **CP-HSDB2-P**
Concept Pro Pole Mount



- ◆ **CP-HSDB2-CM**
Concept Pro Corner Mount



- ◆ **CP-HSDB2-SN**
Concept Pro Swan Neck

