



# Concept Pro

<b>5MP</b>	<b>2.7-13.5mm Varifocal Lens</b>	<b>30m IR Range</b>	<b>4 in 1</b>
------------	--	-------------------------	---------------

## CBP6325IREL-AHD5M

Concept Pro 5MP 4-in-1 Analogue Varifocal Internal Dome Camera

The CBP6325IREL-AHD5M model is a 4-in-1 analogue camera that has been designed to deliver the highest image quality for demanding internal environments. This internal dome features a 2.7-13.5mm varifocal lens, smart infrared LEDs with 30m illumination range, and provides crisp 5-megapixel video with true wide dynamic range and enhanced low light performance. This camera is also designed for excellent compatibility with the Concept Pro range of hybrid digital video recorders.



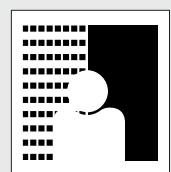
### Internal Cable Connections

The installers needs have been carefully considered in the design of this product, utilising internal cable connections to aid in the ease of installation, reducing the need for complicated work in impractical installation areas.



### Enhanced Low Light

This CCTV camera utilises an Enhanced Low Light CMOS sensor with greater light sensitivity, resulting in the camera capturing colour images long after standard CCTV cameras have switched to black and white night mode.



### True Wide Dynamic Range

With true wide dynamic range, this camera can capture sharp images throughout the entire field of view, even when there are severe differences between light levels.

### KEY FEATURES

- ◆ Max. 20FPS @ 5MP
- ◆ 2.7-13.5mm Varifocal Lens
- ◆ Up to 30m Smart IR Illumination
- ◆ 4-in-1 Operation (AHD/TVI/CVI/CVBS)
- ◆ Enhanced Low Light Performance
- ◆ True Wide Dynamic Range
- ◆ DC12V/AC24V Dual Power Input

### OTHER FEATURES

- ◆ DC12V Power Output
- ◆ BNC & UTP Video Output
- ◆ Up the Coax Coaxitron Support
- ◆ AGC, 3D-DNR, BLC

### ANALOGUE HD TYPICAL CABLE DISTANCE

Camera

DVR

	5MP	2MP	720P
<b>COAX (RG59)</b>	UP TO 500M	UP TO 500M	UP TO 500M
<b>CAT5e</b>	UP TO 200M	UP TO 305M	UP TO 350M
<b>CAT6</b>	UP TO 200M	UP TO 305M	UP TO 350M

\*Approximate distances calculated using HD MasterBaluns. Actual transmission range will vary depending on type and quality of cable and baluns.

COMPATIBLE WITH



CONCEPT PRO  
AHD RECORDING  
RANGE

# CBP6325IREL-AHD5M

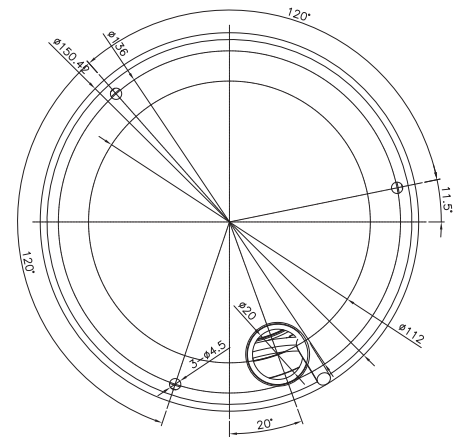
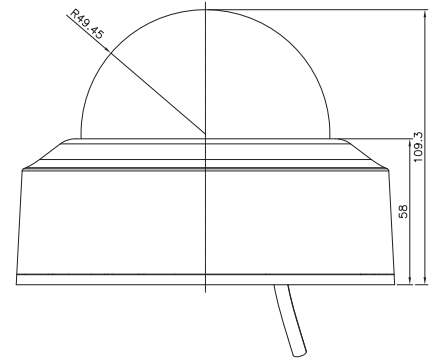
Concept Pro 5MP 4-in-1 Analogue  
Varifocal Internal Dome Camera

# Concept Pro

## SPECIFICATION

Model/Feature	CBP6325IREL-AHD5M
Image Sensor	1/2.8" Progressive Scan CMOS
Video Output Type	AHD/TVI/CVI/CVBS
Signal System	PAL/NTSC
Min. Illumination	Colour: 0.002 lux (Enhanced Low Light) B&W: 0.0002 lux (Enhanced Low Light) 0 lux with IR on
<b>Camera</b>	
Electronic Shutter	Auto/Manual, 1/25-1/25,600s
S/N Ratio	≥50dB
IR LEDs	x4
IR Illumination Range	Max. 30m
IR Control	On/Off
Adaptable IR	Auto
Pivot Axis	Pan: 0-355°, Tilt: 0-75°, Rotation: 0-90°
Lens Type	Manual Varifocal
Mount Type	Built-in
Focal Length	f=2.7-13.5mm
<b>Lens</b>	
Aperture	F1.3
Angle of View	H: 106°-40°, V: 57°-23°, D: 110°-45°
Focus	Manual Varifocal
Iris	Fixed
Resolution	5MP (2592x1944), 4MP (2560x1440), 2MP (1920 x 1080), SD (960 x 576)
Frame Rate	AHD/TVI: 12.5/20FPS @ 5MP, 15/25/30FPS @ 4MP, 25/30FPS @ 2MP CVI: 25/30FPS @ 4MP, 25/30FPS @ 2MP CVBS: 25/30FPS @ SD
Day/Night	True Day & Night with ICR (Auto/Colour/B&W/EXT)
Backlight Compensation	BLC/Global
Wide Dynamic Range	True WDR
White Balance	Pro/Gray World
<b>Video</b>	
Gain Control	Auto
Noise Reduction	3D-DNR (Auto/Manual)
Motion Detection	-
Defog	-
Image Setting	Mirror
Image Adjustment	Brightness, Sharpness, Contrast, Saturation
Privacy Masking	-
Sens-Up	-
Transmission Distance	Max. 500m (1Vp-p 75Ω)
Video Output	x1 1.0Vp-p 75Ω BNC/x1 2-pin UTP
Audio Interface	-
RS-485	-
<b>Interface</b>	
Control Protocol	N/A
Up the Coax (Coaxitron) Support	Yes
OSD Buttons	Yes
<b>General</b>	
Power Supply	DC12V±10%/AC24V±10%
Power Output	x1 DC12V 100mA
Power Consumption	Max. 6.5W
Operating Temperature	-30°C to +40°C
Operating Humidity	20-80% RH
Ingress Protection	IP53
Impact Resistance	-
Housing Materials	Plastic
RAL	RAL 9010 Pure White
Dimension	Ø151.4x109.3mm
Net Weight	≈710g
Gross Weight	≈930g
<b>Certification</b>	
Certifications	CE

## DIMENSIONS



## ORDER CODE

- **CBP6325IREL-AHD5M** Concept Pro 5MP 4-in-1 Analogue Varifocal Internal Dome Camera

## OTHER PRODUCTS IN THE RANGE

- **CBP6325EL-AHD2M** Concept Pro Lite 2MP 4-in-1 Analogue Varifocal Internal Dome Camera
- **CBP6325IREL-AHD2M** Concept Pro Lite 2MP 4-in-1 Analogue Varifocal Internal Dome Camera
- **CBP6325IREL-AHD5M-Z** Concept Pro 5MP 4-in-1 Analogue Motorised Internal Dome Camera

## RECOMMENDED ACCESSORIES

- **CP-BASE-2-V2** Concept Pro Large Junction Box
- **CP-PM-2-V2** Concept Pro Large Pendant Mount Bracket
- **CP-WM-2-V2** Concept Pro Large Wall Mount Bracket
- **CP-TM-2-V2** Concept Pro Large In-ceiling/Tile Mount
- **CP-PLM-V2** Concept Pro Pole Mount Bracket
- **CP-CM-V2** Concept Pro Corner Mount Bracket
- **RG59K-100** RG59 Coaxial Cable 100m (Black)
- **RG59K-500** RG59 Coaxial Cable 500m (Black)

COMPATIBLE  
WITH



CONCEPT PRO  
AHD RECORDING  
RANGE

# CBP6325IREL-AHD5M

Concept Pro 5MP 4-in-1 Analogue  
Varifocal Internal Dome Camera

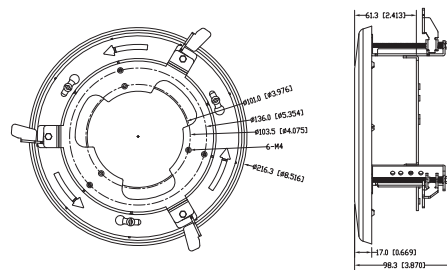
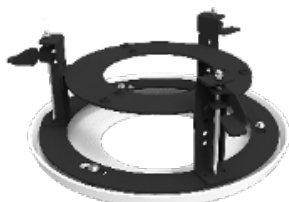


## ACCESSORIES

## DIMENSIONS

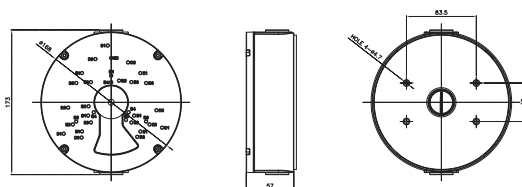
### CP-TM-2-V2

Concept Pro Large  
In-ceiling/Tile Mount



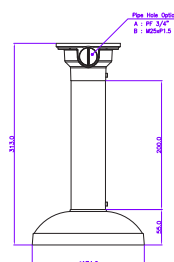
### CP-BASE-2-V2

Concept Pro Large  
Junction Box



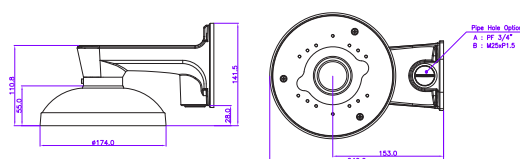
### CP-PM-2-V2

Concept Pro Large  
Pendant Mount



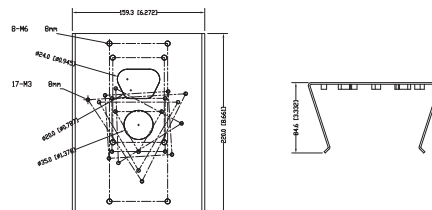
### CP-WM-2-V2

Concept Pro Large  
Wall Mount



### CP-PLM-V2

Concept Pro Pole Mount  
(can be combined with  
CP-BASE-2-V2)



### CP-CM-V2

Concept Pro Corner Mount  
(can be combined with  
CP-BASE-2-V2)

