

# Concept Pro



- 1080P
- 2MP
- 4-in-1 Operation
- 50m IR Range

## AIR5027-AHD

### External AHD<sup>4</sup> Weatherproof Bullet Camera

The Concept Pro AIR5027-AHD is a 1080p 5 - 50mm varifocal lens weatherproof AHD bullet camera with 50m IR range which is suitable for longer range applications. Taking advantage of Concept Pro's Advanced Infrared Technology, the camera offers exceptional image quality in the darkest of environments, automatically adjusting IR levels dependent on the type of scene being recorded.

### KEY FEATURES

- ◆ Analogue High Definition
- ◆ 2MP
- ◆ Advanced Infrared Technology
- ◆ 1/2.8" Sony Progressive Scan CMOS
- ◆ Four-in-one operation: Switchable between AHD, TVI, CVI and Analogue
- ◆ 5 - 50mm Varifocal Lens
- ◆ Full HD 1080P
- ◆ 50m IR Range
- ◆ IP66
- ◆ Dual Voltage (12V DC / 24V AC)

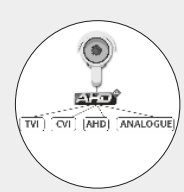
### OTHER FEATURES

- ◆ Video Transmission over 300m
- ◆ 2D/3D DNR, dWDR, ICR,BLC,ATW



#### Advanced Infrared Technology

This CCTV camera utilises Concept Pro's Advanced Infrared Technology that adjusts the IR levels dependent on the proximity and movement of objects, delivering smooth and even illumination even in the most challenging of dark environments.



#### Four-in-one solution

Don't be tied down to any single platform. With Concept Pro 4-in-1 cameras, you have the freedom to install whichever CCTV platform you like. Whether you install AHD, TVI, CVI or traditional analogue systems.

### ANALOGUE HD TYPICAL CABLE DISTANCE

| Camera | 1080p      | 720p       | DVR |
|--------|------------|------------|-----|
| COAX   | Up to 300m | Up to 500m |     |
| CAT5e  | Up to 200m | Up to 350m |     |
| CAT6   | Up to 220m | Up to 385m |     |

\*Approximate distances calculated using HD MasterBaluns. Actual transmission range will vary depending on type and quality of cable and baluns.



# AIR5027-AHD

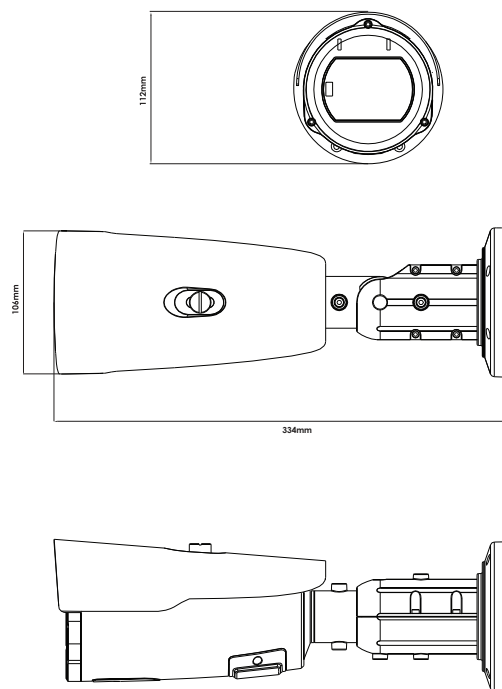
External AHD<sup>4</sup> Weatherproof Bullet Camera

# Concept Pro

## SPECIFICATION

|                         |                                             |
|-------------------------|---------------------------------------------|
| IMAGE SENSOR            | 1/2.8" Sony CMOS                            |
| SIGNAL SYSTEM           | PAL/NTSC                                    |
| MIN. ILLUMINATION       | 0.001Lux @ (F1.2,AGC ON),0 Lux with IR      |
| S/N RATIO               | ≥50dB                                       |
| DAY & NIGHT             | ICR                                         |
| SHUTTER SPEED           | PAL:1/50-1/50000, NTSC:1/60-1/60000         |
| WIDE DYNAMIC RANGE      | dWDR                                        |
| DIGITAL NOISE REDUCTION | 2D/3D                                       |
| LENS                    | 5 - 50mm Varifocal                          |
| FIELD OF VIEW           | 89° to 35°                                  |
| IR LED                  | 6pcs (can connect optional AIR-IR LED pods) |
| IR RANGE                | 50m (80m with AIR-IR pods)                  |
| IR WAVELENGTH           | 850nm                                       |
| EFFECTIVE RESOLUTION    | 1920x1080                                   |
| FRAME                   | PAL:25fps ,NTSC:30fps                       |
| WHITE BALANCE           | Auto                                        |
| GAIN                    | Auto                                        |
| LIGHT COMPENSATION      | Auto                                        |
| MAX DISTANCE            | 75-5 300m                                   |
| OUTPUT INTERFACE        | AHD (TVI/CVBS optional)                     |
| POWER SUPPLY            | 12VDC/24VAC                                 |
| POWER CONSUMPTION       | 1.92W(IR LED off), 6.00W(IR LED on)         |
| OPERATING TEMPERATURE   | -10°C~+55°C                                 |
| OPERATING HUMIDITY      | 0% - 85% RH                                 |
| INGRESS PROTECTION      | IP66                                        |
| APPROVALS               | CE / FCC                                    |
| MATERIAL                | Aluminium Alloy                             |
| PRODUCT DIMENSIONS      | φ max 112mm x 334mm                         |
| PRODUCT WEIGHT          | 1650g                                       |

## DIMENSIONS



## ORDER CODES

- **AIR5027-AHD** Concept Pro Housed AIR AHD 6-50mm, VF, 1/3", DN, 2MP, 4in1, OSD, 12/24VDC, 50M

## OTHER PRODUCTS IN THE RANGE

- **AIR2024-AHD/2.8** Concept Pro Housed AIR AHD 2.8mm, 1/3", DN, 2MP, 4in1, OSD, 12VDC, 20M
- **AIR2024-AHD/6** Concept Pro Housed AIR AHD 6mm, 1/3", DN, 2MP, 4in1, OSD, 12VDC, 20M
- **AIR2024-AHD/12** Concept Pro Housed AIR AHD 12mm, 1/3", DN, 2MP, 4in1, OSD, 12VDC, 20M
- **AIR3526-AHD** Concept Pro Housed AIR AHD 2.8-12mm VF, 1/3", DN, 2MP, 4in1, OSD, 12VDC, 35M
- **AIR3526-AHD-Z** Concept Pro Housed AIR AHD Motorized 2.8-12mm, 1/3", DN, 2MP, 4in1, OSD, 12VDC, 35M
- **AIR4528-AHD** Concept Pro Housed AIR AHD 2.8-12mm VF, 1/3", DN, 2MP, 4in1, OSD, 12/24VDC, 45M
- **AIR4529-AHD** Concept Pro Housed AIR AHD 6-22mm VF, 1/3", DN, 2MP, 4in1, OSD, 12/24VDC, 45M
- **AIR4528IRH-AHD** Concept Pro Housed AIR AHD with AIR IR 2.8-12mm, VF, 1/3", DN, 2MP, 4in1, OSD, 12/24VDC, 80M
- **AIR4529IRH-AHD** Concept Pro Housed AIR AHD with AIR IR 6-22mm, VF, 1/3", DN, 2MP, 4in1, OSD, 12/24VDC, 80M

## MOUNTING OPTIONS



### CVP-BASE-R-G

Deep Stand off base for AIR30, AIR45 and AIR50 Range across AHD and HD-IP Platforms

## EXTENDED IR RANGE



### AIR-IR

Extend the IR Range up to 80m for the AIR45 and AIR50

COMPATIBLE WITH



VXHAHD  
4, 8 & 16 channel