

Concept Pro



- 1080P
- 2MP
- 4-in-1
Operation
- 60m IR
Range

AIR4529IRH-AHD

External AHD⁴ Weatherproof Bullet Camera with Pre-Built Bolt-on Lamps

The Concept Pro AIR4529IRH-AHD is a 1080p 6 - 22mm varifocal lens weatherproof AHD bullet camera with 60m IR range which is suitable for long range applications. The camera achieves its IR distance through its twin IR lamps that use Advanced Infrared Technology to deliver exceptional image quality in the darkest of environments, automatically adjusting IR levels dependent on the type of scene being recorded.



Advanced Infrared Technology

This CCTV camera utilises Concept Pro's Advanced Infrared Technology that adjusts the IR levels dependent on the proximity and movement of objects, delivering smooth and even illumination even in the most challenging of dark environments.



Four-in-one solution

Don't be tied down to any single platform. With Concept Pro 4-in-1 cameras, you have the freedom to install whichever CCTV platform you like. Whether you install AHD, TVI, CVI or traditional analogue systems.

KEY FEATURES

- ◆ Analogue High Definition
- ◆ 2MP
- ◆ Advanced Infrared Technology
- ◆ 1/2.8" Sony Progressive Scan CMOS
- ◆ Four-in-one operation: Switchable between AHD, TVI, CVI and Analogue
- ◆ 6 - 22mm Varifocal Lens
- ◆ Full HD 1080P
- ◆ 60m IR Range
- ◆ IP66
- ◆ Pre-Built Bolt on IR Lamps
- ◆ Dual Voltage (12V DC / 24V AC)

OTHER FEATURES

- ◆ Video Transmission over 300m
- ◆ 2D/3D DNR, dWDR, ICR, BLC, ATW

ANALOGUE HD TYPICAL CABLE DISTANCE

Camera	DVR	
	1080p	720p
COAX	Up to 300m	Up to 500m
CAT5e	Up to 200m	Up to 350m
CAT6	Up to 220m	Up to 385m

**Approximate distances calculated using HD MasterBaluns. Actual transmission range will vary depending on type and quality of cable and baluns.*



AIR4529IRH-AHD

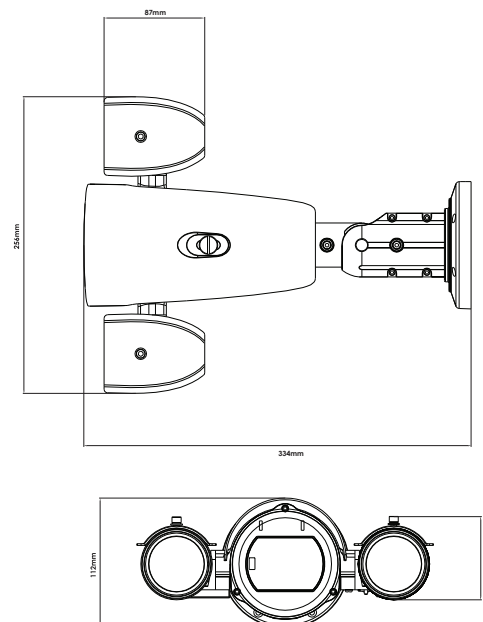
External AHD⁴ Weatherproof Bullet Camera with Pre-Built Bolt-on Lamps

Concept Pro

SPECIFICATION

IMAGE SENSOR	1/2.8" Sony CMOS
SIGNAL SYSTEM	PAL/NTSC
MIN. ILLUMINATION	0.001Lux @ (F1.2,AGC ON),0 Lux with IR
S/N RATIO	≥50dB
DAY & NIGHT	ICR
SHUTTER SPEED	PAL:1/50-1/50000, NTSC:1/60-1/60000
WIDE DYNAMIC RANGE	dWDR
DIGITAL NOISE REDUCTION	2D/3D
LENS	2.8-12mm Varifocal
FIELD OF VIEW	89° to 35°
IR LED	6pcs
IR RANGE	60m
IR WAVELENGTH	850nm
EFFECTIVE RESOLUTION	1920x1080
FRAME	PAL:25fps ,NTSC:30fps
WHITE BALANCE	Auto
GAIN	Auto
LIGHT COMPENSATION	Auto
MAX DISTANCE	75-5 300m
OUTPUT INTERFACE	AHD (TVI/CVBS optional)
POWER SUPPLY	12VDC/24VAC
POWER CONSUMPTION	1.92W(IR LED off), 10.08W(IR LED on)
OPERATING TEMPERATURE	-10°C~+55°C
OPERATING HUMIDITY	0% - 85% RH
INGRESS PROTECTION	IP66
APPROVALS	CE / FCC
MATERIAL	Aluminium Alloy
PRODUCT DIMENSIONS	112mm x 256mm x 334mm
PRODUCT WEIGHT	2350g

DIMENSIONS



ORDER CODES

- **AIR4529IRH-AHD** Concept Pro Housed AIR AHD with AIR IR 6-22mm, VF, 1/3", DN ,2MP, 4in1, OSD, 12/24VDC, 60M

OTHER PRODUCTS IN THE RANGE

- **AIR2024-AHD/2.8** Concept Pro Housed AIR AHD 2.8mm, 1/3", DN, 2MP, 4in1, OSD, 12VDC, 20M
- **AIR2024-AHD/6** Concept Pro Housed AIR AHD 6mm, 1/3", DN, 2MP, 4in1, OSD, 12VDC, 20M
- **AIR2024-AHD/12** Concept Pro Housed AIR AHD 12mm, 1/3", DN, 2MP, 4in1, OSD, 12VDC, 20M
- **AIR3526-AHD** Concept Pro Housed AIR AHD 2.8-12mm VF, 1/3", DN, 2MP, 4in1, OSD, 12VDC, 35M
- **AIR3526-AHD-Z** Concept Pro Housed AIR AHD Motorized 2.8-12mm, 1/3", DN, 2MP, 4in1, OSD, 12VDC, 35M
- **AIR4528-AHD** Concept Pro Housed AIR AHD 2.8-12mm VF, 1/3", DN, 2MP, 4in1, OSD, 12/24VDC, 45M
- **AIR4529-AHD** Concept Pro Housed AIR AHD 6-22mm VF, 1/3", DN, 2MP, 4in1, OSD, 12/24VDC, 45M
- **AIR5027-AHD** Concept Pro Housed AIR AHD 6-50mm, VF, 1/3", DN, 2MP, 4in1, OSD, 12/24VDC, 50M
- **AIR4528IRH-AHD** Concept Pro Housed AIR AHD with AIR IR 2.8-12mm, VF, 1/3", DN ,2MP, 4in1, OSD, 12/24VDC, 60M

MOUNTING OPTIONS



CVP-BASE-R-G

Deep Stand off base for AIR30, AIR45 and AIR50 Range across AHD and HD-IP Platforms

COMPATIBLE WITH



VXHAHD
4, 8 & 16 channel